

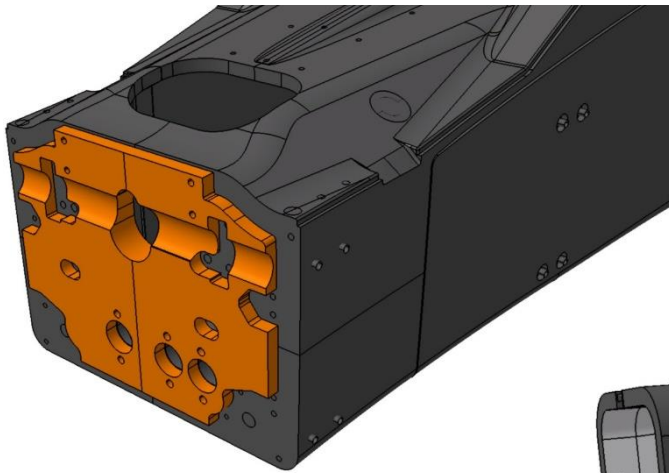


Enhanced safety for the pilots in 2018

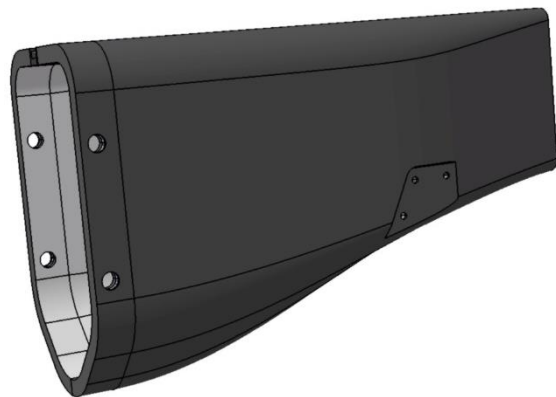
The Life of Formula 4 - December 2017

Updated Technical Regulations for all homologated F4 cars were approved by the FIA World Motor Sport Council. These amendments include a frontal anti-intrusion panel and an updated rear impact structure, to be retrofitted on existing cars by the teams themselves and for all new manufactured cars.

This update, currently under study at Mygale, will be mandatory for all F4 Championships as from 1 March 2018.



Frontal anti-intrusion panel



Rear Crashbox

mygale 

 @MYGALECARS
 MYGALE.CARS.3



TECHNOPOLE
58470 MAGNY-COURS
WWW.MYGALE.FR

 INFO@MYGALE.FR
 +33 (0)3 86 21 86 21